

## AC-GPSANTx-000

## GPS Antenna

### Function

The high performance active GPS antenna with integrated low-noise amplifier (LNA) is the perfect match to the 2D GPS receivers where high sensitivity and optimum sky coverage are essential.

### Benefits

- Easy to use
- Compact use
- High performance
- Fast and easy integration
- No antenna know how necessary

### Features

- Built-in low noise amplifier with 27dB and 1.5 dB noise figure
- 2m or 5m coaxial cable
- Magnetic base suitable for mounting on car roof
- Industrial temperature range: -40 to +85°C
- Power supply voltage: 3 to 5V



Standard 2D GPS antenna with SMA connector

### Technical specifications

#### Patch antenna characteristics

Frequency.....	1575 ± 3 MHz
VSWR.....	max.2
Bandwidth.....	min. 10 MHz
Impedance.....	50 Ω
Peak Gain (over 7 x 7 cm ground plane)	min.4 dBic
Gain coverage (at -90° ≤ θ ≤ +90°)....	≥ -4 dBic
Power handling.....	1 Watt
Polarization.....	RHCP

#### Amplifier characteristics

Gain without cable.....	typ. 27dB
Noise figure.....	max. 1.5 dB
Output VSWR.....	max.2.0
Filtering.....	-30 dB (± 100 MHz)
DC voltage.....	3 - 5 V
DC current.....	max. 22 mA

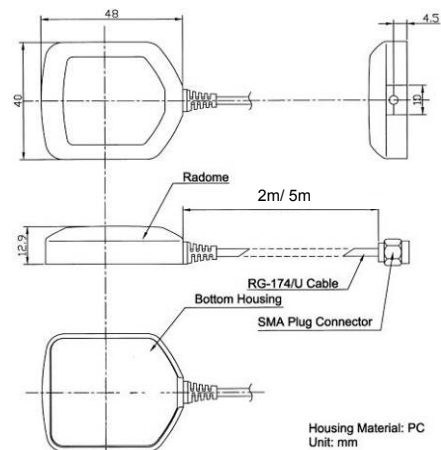
#### Environmental

Operating temperature.....	-40 to 85 °C
Storage temperature.....	-40 to 125 °C
Humidity.....	95 ~ 100 %
(suitable for car roof use during rainy weather)	
Sealing class.....	IP54
Vibration; Sine sweep (0-Peak).....	1 G
10-150-10Hz each axis	

#### Mechanical characteristics

Weight:  
 Standard antenna.. 106 g

Dimensions:  
 Standard antenna.. 48 x 40 x 13 mm



#### Ordering information

AC-GPSANT2-000	2m coaxial cable, SMA connector
AC-GPSANT3-000	3m coaxial cable, SMA connector
AC-GPSANT5-000	5m coaxial cable, SMA connector