
LG-CANStick1C-000**USB Stick CAN Memory**

**Key Features:**

- Stores CAN Bus data directly to USB Stick
- Supports Hot swap!
- Developed for ultimate Data access speed
- Setting changeable with USB-Stick or serial communication*
- Up to 128 CAN channels
- Full programmable CAN Interface
- Optional GPS input**

➤

* Optional

**6,25/10/12/50Hz GPS mouse available

LG-CANStick1C-000

USB Stick CAN Memory

Technical specifications			
CAN characteristics			
CAN channels (optional)		32(64/96/128)	
CAN Line		1	
CAN termination		no	
CAN Identifiers (changeable)		unlimited	
		11bit/29bit	
CAN powered		yes	
Baud rate (changeable)		125/250/500/1000	
preset to	kBaud	1000	
Sampling rate CAN channels		Max. 100Hz	
base		Up to 800Hz	
optional			
Storage characteristics			
Max USB Stick size	GB	32	
format		FAT32	
Max block size	GB	2	
Environmental data			
Ambient operating range	°C	-20 to +60	
Protection class		IP67	
Humidity	%	5 to 95	
Operational status indicator			
LED blue blinking			
Electrical characteristics			
Supply voltage	V	8 - 14	
Current consumption w/o. GPS	mA	<140	
Current consumption with GPS	mA	<180	
Mechanical characteristics			
Aluminum housing			
Dimensions	mm	70x 40x 13	
Weight	g	90	
Cable CAN line			
Wire cross section		4 x AWG24	
Type		Raychem DR25	
Length		400mm	
Connector type		Binder 712, 5PM	
Cable USB line			
Length		400 mm	
Connector type		USB Typ A, socket	
Connection GPS (optional)/serial		Build-in socket	
Connector type		Binder 712, 4PF	
Ordering information			
For ordering this product use 2D			
Article number			
LG-CANStick1C-000			Basic 32 CAN channels, 1 CAN bus
LG-CANStick_OPT-000			Optional GPS integration
LG-CANStick_OPT-001			32 additional CAN channels
LG-CANStick_OPT-002			Max 400Hz sampling rate
LG-CANStick_OPT-003			Max 800Hz sampling rate
LG-CANStick_OPT-004			CAN routing for LG-CANStick2C-00
LG-CANStick_OPT-005			CCP/XCP protocol
LG-CANStick_OPT-006			COM via USB port option
AC-GPS_Mouse_uC09-000			GPS Mouse 6,25/10Hz
AC-GPS_Mouse_12Hz-000			GPS Mouse 12Hz
AC-GPS_Mouse_50Hz-000			GPS Mouse 50Hz

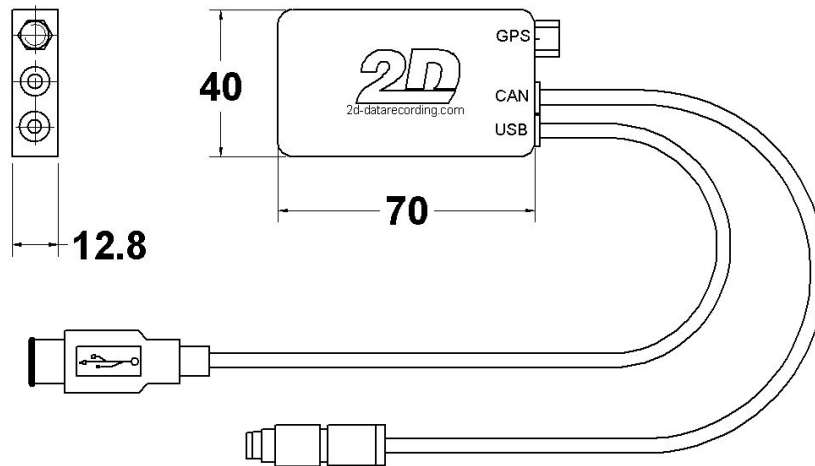
For best results Winit 2012.1.8.2.1 or newer is needed.

Add-on software for Stick handling is included in the package.

LG-CANStick1C-000

USB Stick CAN Memory

Dimensions

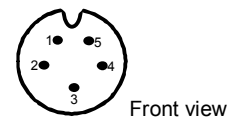


Connector layout

Connector type

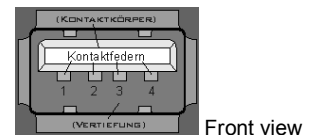
CAN line, Binder 712 5PM

Pin	Name	Description	Color
1	CAN Hi	CAN High	white
2	CAN Lo	CAN Low	green
3	GND	Ground	black
4	KL15	Switched power	yellow
5	Vext/KL30	Power supply 8- 14V	red



USB line, Type A socket

Pin	Name	Description	Color
1	VCC	Power supply +5V	red
2	Data -	Data line -	white
3	Data +	Data line +	green
4	GND	Ground line	black



GPS/serial communication, Binder 712 4PF

Pin	Name	Description
1	Data	Data line
2	Data	Data line
3	GND	Ground
4	VCC	Power supply +5V

