

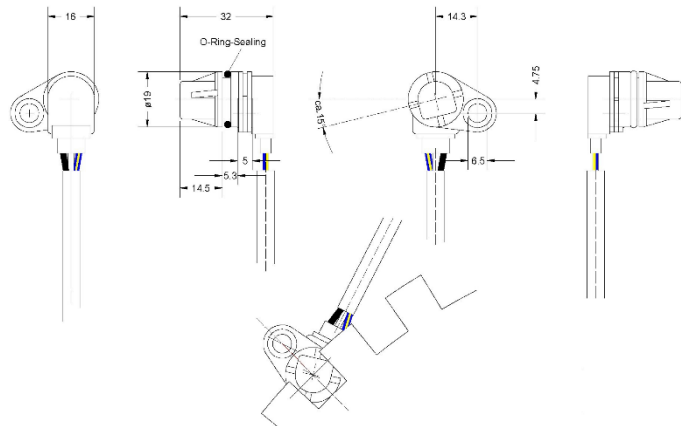
SD-VI05-000

Inductive speed sensor



Connect with
speed extension

signal detection



Key Features:

- Sensor reacts to crossing metal parts (e.g. screws). Induction signals are measured and counted.

Technical specifications

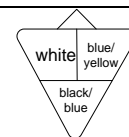
Electrical characteristics		Cable	
Supply voltage	V	Wire cross section	mm ² 3 x 0.14
Max. switch frequency with impulse ratio 50:50	Hz	Type	PVC
		Length	mm 150
Environmental data		Connector type	
Ambient operating range	°C	Standard	Sumitomo 3PM
Mechanical characteristics		Ordering information	
Housing material	Reinforced plastic	SD-VI05-000	
Weight	g 25		

Connector layout

Connector type

Plug at sensor

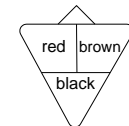
Name	Description	Color
+5V	+5V	blue/yellow
GND	Ground	black/blue
Sig	Signal	white



front view

USB, Type A socket

Name	Description	Color
+5V	+5V	red
GND	Ground	black
Sig	Signal	brown



front view

Installation hints

- Appropriate signal donators:
 - Screws of the brake disc, parts of the brake disc, additional mounted parts
 - Use signal donators with sharp edges and a flat surface (no inbus or lense screws)
- Distance between signal donator and sensor:
 - Steel: up to 4 mm
- Please notice:
 - Same distance between all signal donators
 - Amount of signal donators too high ⇒ pulses too short
 - Optimum distance is 2 mm to 3 mm