

## DI-Dash\_6/8\_2C-000

## BigDash display basic in 2<sup>nd</sup> generation 2 CAN

### Features

Based on newest COG technology (chip on glass) the well known 2D HQ Dashboard is coming in next generation as a stand alone unit with additional input channels.

- New glass design for better information with bigger dotmatrix area
- Reduced weight improved reliability by COG technology
- A graphic display with 132x64 dots can be used to show any channel or to display warning messages (indicating low oil pressure, high water temperature, and low battery voltage)
- 64 segment rev-counter in graph style with user definable, non-linear range. Show gear position, number of laps, running down qualifying time. Update rate is 100Hz.
- Extra warning light on the side of the dashboard
- 2 independent external CAN-lines
- Online calculation channels
- Adjustable brightness of LED's
- Full temperature range -20 to 85°C
- Temperature controlled contrast
- Usable as standalone display unit
- Programmable via CAN-bus



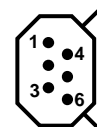
### Connector layout

### Connector type

#### 6pin OEM connector

Pin	Name	Description
1	CAN 2 H	CAN Bus High (2 <sup>nd</sup> CAN-line)
2	CAN 2 L	CAN Bus Low (2 <sup>nd</sup> CAN-line)
3	Vext (KL-30)	External Power supply
4	BGND	Board Ground
5	Button (digital/TTL)	Digital input with TTL switching treshold (used for switching the pages)
6	BGND	Board Ground

#### Connector at display



6PM (front side)

#### 8pin OEM connector

Pin	Name	Description
1	CAN 1 H	CAN Bus High (1 <sup>st</sup> CAN-line)
2	CAN 1 L	CAN Bus Low (1 <sup>st</sup> CAN-line)
3	+12V (diode)	Sensor supply (max. 20mA)
4	GND	Ground
5	4k7@5V	Analog supply (5V power supply / 4.7kΩ hard-wired)
6	GND	Ground
7	Analog_IN1 (4k7@5V)	Analog input with 4.7kΩ Pull-up to 5V (predefined per software for event function LAP). → also usable as analog input with 4.7kΩ Pull-up for NTC measurements.
8	Analog_IN2 (0-5V)	Analog input (0-5V)



8PM (front side)

#### 5pin Serial connector

Pin	Name	Description
1	RxD	Serial Bus Receive
2	TxD	Serial Bus Transmit
3	GND	Ground

#### Connector at display



Binder 719, 5PM (front side)

The specifications on this document are subject to change at 2D decision. 2D assumes no responsibility for any claims or damages arising out of the use of this document, or from the use of modules based on this document, including but not limited to claims or damages based on infringement of patents, copyrights or other intellectual property rights.

2D Debus & Diebold Meßsysteme GmbH  
<http://www.2D-datarecording.com>  
<http://www.2D-Kit-System.com>  
[mail@2D-datarecording.com](mailto:mail@2D-datarecording.com)

## DI-Dash\_6/8\_2C-000

## BigDash display basic in 2<sup>nd</sup> generation 2 CAN

### Technical specifications

#### Electrical characteristics

Power supply.....	[V]	9-15
Current consumption:		
Shift led + background lighting off.....	[mA]	150
Shift led + background lighting on.....	[mA]	340
Shift led + background lighting + Warning light	[mA]	500
Graphic display.....	[dots]	132 x 64

#### Communications

CAN-lines.....		2
----------------	--	---

#### Channels

Calc.....		12
CAN.....		32
Analog.....		5 (3 ext. + 2 int.)
Event.....		8
Display.....	[pages]	3
Channels per page.....	[CH / page]	21
Programable Shift-LED's.....		8
LCD graphic bar with 64 segments.....		1

#### Mechanical

Dimensions.....	[mm <sup>3</sup> ]	202 x 112.5 x 38
Weight.....	[g]	540
Housing material.....		PVC housing

#### Connector

6pin OEM connector.....		1
8pin OEM connector.....		1
5pin Serial connector (Binder 719, 5PM)...		1

#### Environmental

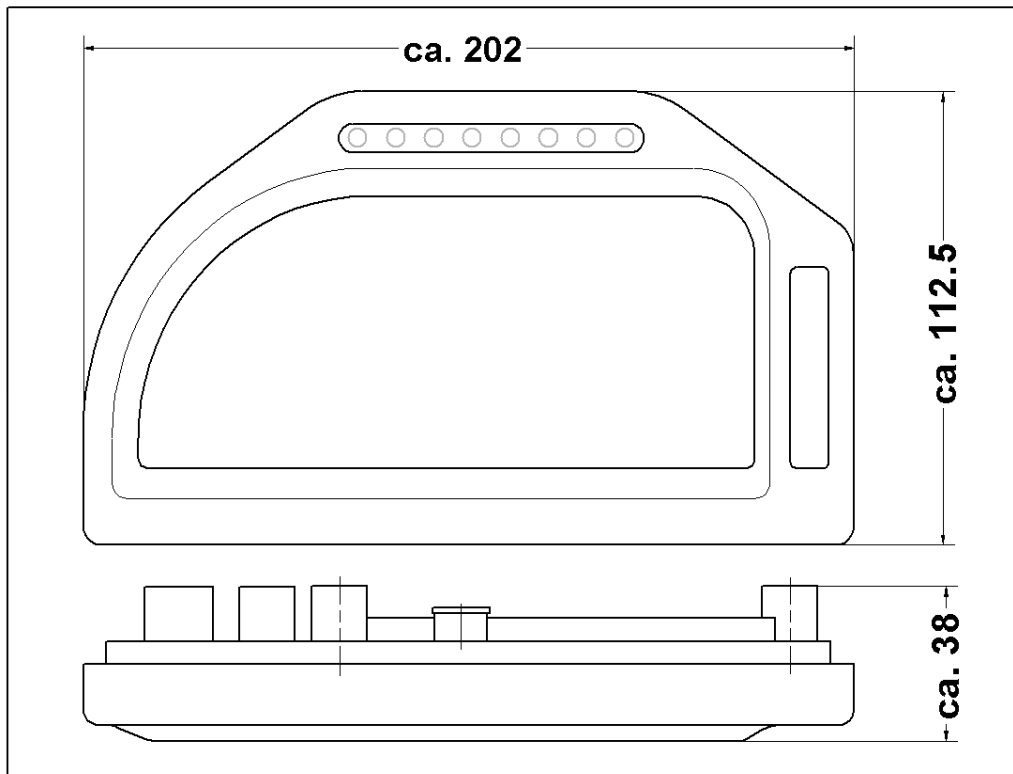
Operating temperature.....	[°C]	-20 to +85
Humidity.....	[%]	5-95

#### Options

2D offered a loom for this display (refer Looms/Cables) Art.No.: WL-DI6\_8\_2C-000

#### Ordering information

Art.No.:		
DI-Dash_6/8_2C-000.....	Display with 6/8 pin OEM connector and 2 CAN	
DI-Dash_6/8_2C_endurance-000.....	Display with 6/8 pin OEM connector and 2 CAN + endurance mode for lap- and pit-timing + including 6 and 8 Pin OEM connector set	

**DI-Dash\_6/8\_2C-000****BigDash display basic in 2<sup>nd</sup> generation 2 CAN****Dimensions****Documentation reference**

A documentation about operating + setting for this display is available at the homepage or the 2D CD-ROM.

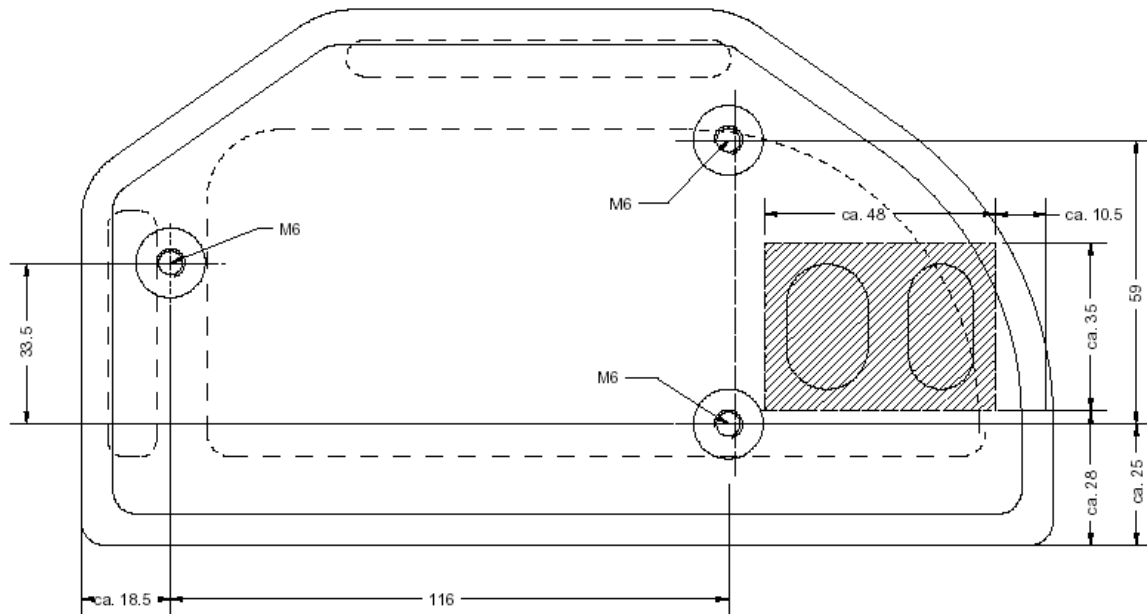
→ <Support> <Download> <2D manuals> <Hardware manuals>

→ Take a look at "AC-DOC\_DI-Dash\_xxx\_yCSetting\_e-000"

DI-Dash\_6/8\_2C-000

BigDash display basic in 2<sup>nd</sup> generation 2 CAN

Dimensions (housing backside)



**Mounting advice:**

The shaded square (in the upper illustration) shows the location of the rear plugs at the back side of the housing. It should be paid attention to keep this "shaded square" free.