

LG-CANStick_EVO-000

USB Stick CAN Memory



Key Features:

- Stores CAN Bus data directly to USB Stick or internal 32 MB memory
- Supports Hot swap!
- Developed for ultimate Data access speed
- GPS input**

** 12 Hz GPS mouse optional available

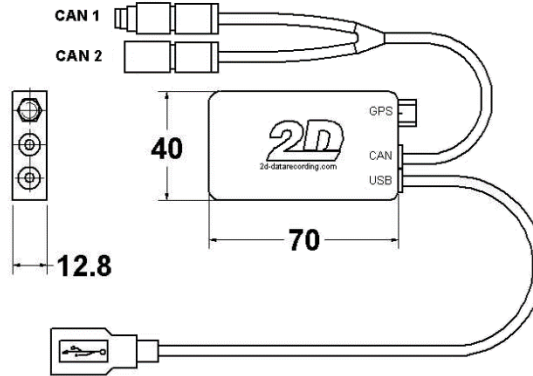
Technical specifications

CAN characteristics			Mechanical characteristics		
CAN channels		64	Aluminum housing		
CAN Lines		2	Dimensions	mm	70x40x13
CAN powered		yes	Weight	g	90
Baud rate	kbps	user defined	Cable CAN line		
Sampling rate CAN channels	Hz	max 200	Wire cross section		10 x AWG26
Storage characteristics			Type		Raychem DR25
Max USB Stick size	GB	32	Length	mm	250
format		FAT32	Connector type CAN-1 (EXT)		Binder 712, 5PM
Max block size	GB	2	Connector type CAN-2 (2D)		Binder 712, 5PF
Environmental data			Cable USB line		
Ambient operating range	°C	-20 to +60	Length	mm	500
Protection class		IP67	Connector type		USB Typ A, socket
Humidity	%	5 to 95	Connection GPS/serial		
Operational status indicator			Connector type		Binder 712, 4PF
LED blue blinking			Electrical characteristics		
			Supply voltage	V	8 - 14
			Current consumption w/o. GPS	mA	<140
			Current consumption with GPS	mA	<180
			Ordering information		
			Art.No. LG-CANStick_EVO-000		

LG-CANStick_EVO-000

USB Stick CAN Memory

Dimensions

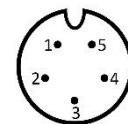


Connector layout

Connector type

CAN-1 line, Binder 712 5PM

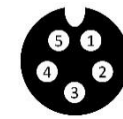
Pin	Name	Description	Color
1	CAN Hi	CAN High	White
2	CAN Lo	CAN Low	Green
3	GND	Ground	Black
4	KL15	Switched power	Blue
5	Vext	Power supply 8-14V	Red



Front view

CAN-2 line, Binder 712 5PF

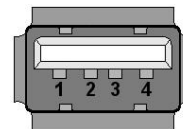
Pin	Name	Description	Color
1	CAN Hi	CAN High	White
2	CAN Lo	CAN Low	Green
3	GND	Ground	Black
4	n.c.	Not connected	
5	Vext	Power supply 8-14V	Red



Front view

USB, Type A socket

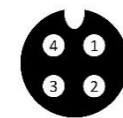
Pin	Name	Description	Color
1	VCC	Power supply +5V	Red
2	Data -	Data line -	White
3	Data +	Data line +	Green
4	GND	Ground	Black



Front view

GPS/Serial, Binder 712, 4PF

Pin	Name	Description	Color
1	Data	Data line	White
2	Data	Data line	Green
3	GND	Ground	Black
4	VCC	Power supply +5V	Red



Front view